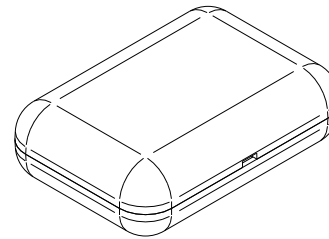
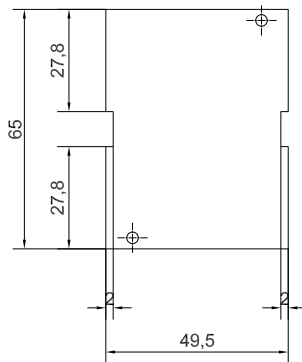


PCB MAX SIZE



	Denomination	10007	
	Assembly 10007 Subject to technical modification without prior notice. Tipographical and other errors do not justify any claim for damages. All dimensions should be verified using an actual moulded part.	Part. Number	10007
	This document contains proprietary information of TEKO S.p.a. and is tendered subject to the conditions that the information be retained in confidence not be reproduced or copied and not be used or incorporated in any product.	Rev. Index	Scale
		Date	Format design
		23/11/2005	A2